

Heliotrope General Flo-Verter Valve

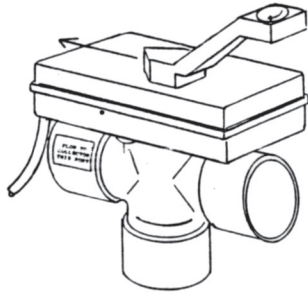
Field Replacement Of Valve Mechanism

The field replacement process for the Flo-Verter valve allows for installation of a brand new valve mechanism into an existing body. This eliminates the need to disturb any piping at the site.

When reassembling, do not overtighten the screws as damage to the valve base may occur!

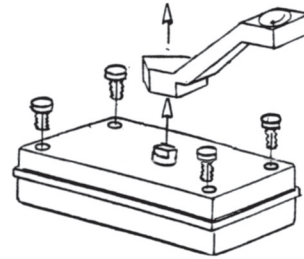
Check for presence of O-Ring inside top cover when re-assembling.
If missing, check top of shaft and replace in cover groove.

1.



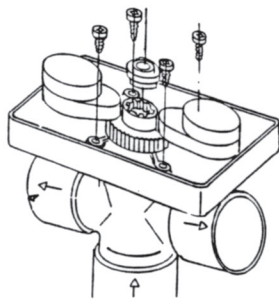
ALIGN HANDLE AS SHOWN
ON NEW AND OLD VALVES

2.



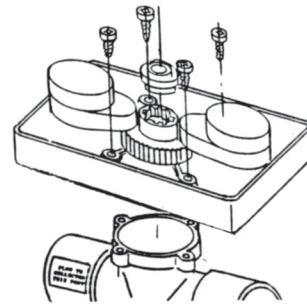
1. REMOVE HANDLE BY PULLING STRAIGHT UP
2. REMOVE 4 SCREWS ON TOP OF COVER
3. REMOVE TOP COVER

3.



REMOVE THE 4 SCREWS AROUND
THE BASE OF THE SHAFT

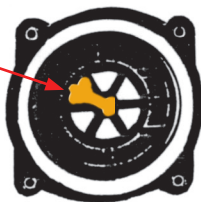
4.



LIFT BASE WITH MECHANISM
STRAIGHT UP

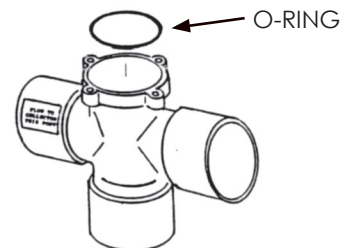
5.

KEYWAY



NOTE THAT THE KEYWAY IN THE DIVERTER
IS THE SAME ON BOTH VALVES

6.



REPLACE O-RING
REASSEMBLE NEW VALVE MECHANISM
ONTO OLD VALVE BASE